



FIRE DOESN'T  
COMPROMISE  
**NEITHER**  
SHOULD YOU

Expect... **AVR**





# LET'S MAKE A DIFFERENCE WHEN EVERY SECOND COUNTS

Firemen depend fully on valves and hydrants that function perfectly, since they are installed in systems aimed to protect and save lives and safeguard valuables. Reliability is crucial when every second counts and system downtime for maintenance and replacement must be kept to an absolute minimum.

AVK's fire protection range is UL/ULC listed and FM approved and complies with international standards. It consists of hydrants, post and wall indicators, NRS post indicator valves, handwheel-operated OS&Y gate valves, swing check valves, butterfly valves and fittings. Furthermore, AVK holds a VdS approval for NRS handwheel-operated gate valves.

Our quality assurance system is certified according to ISO 9001. Moreover, we are certified to ISO 14001, the international standard for environmental management, and to ISO 45001, the international occupational health and safety standard.

More than 4,300 people in the AVK Group are doing their utmost to ensure that AVK remains one of the world's leading valve manufacturers for water, wastewater, gas, and fire protection applications.



# DRY BARREL FIRE HYDRANTS



Dry barrel fire hydrants are primarily designed for areas with frost, where the water main is located below the ground frost zone. AVK dry barrel fire hydrants meet or exceed AWWA C-502 and are UL/ULC listed and FM approved. They are designed for high performance, easy repair and minimum end user costs for labor and inventory.

### High performance and easy repair

AVK dry barrel hydrants are designed with a breakable flange and a stem rod coupling which prevent leaking and enable easy repair at traffic knock down. The hydrant's main valve has a ductile iron core which is fully encapsulated in EPDM rubber. The nozzle section can be rotated 360 degrees. The upper section of the hydrant is repairable under pressure.

The dry barrel hydrant has two drain outlets located just above the water main level. The main valve disc is designed with the purpose of flushing the drain channels for soil and other impurities during opening, as these impurities could lead to damage of the main valve disc.

After turning the operation key 2 to 3 times, the drain will stop flushing and the barrel will be filled with water which will flow directly into the hoses and pumper connection or whatever is connected.

Furthermore, the barrel will drain the water through the drain holes in the base when the hydrant is closed after service. Therefore, it is important to make sure that the base is surrounded by gravel allowing the hydrant to drain and flush without washing off the soil. Otherwise this could result in undermining of the pavement.





**Numerous design features:**

- High pressure rating - 17.2 bar (250 PSI)
- 2 x 2½" NST hose nozzles + 1 x 4" NST pumper nozzle. Nozzles available in most thread configurations
- 360° nozzle section rotation possible
- Removable nozzles secured with external stainless steel allen screw
- Travel stop nut in the nozzle section for additional safety
- 1½" pentagon operating nut
- The breakable flange and stem rod coupling prevent leaking and enable easy repair at traffic knock down
- Stainless steel traffic coupling designed for longer operational life and high corrosion resistance
- Extensions available in lengths from 152 mm to 1524 mm, bury depths 610 mm to 3962 mm
- Ductile iron nozzle section, barrel section, bonnet and base
- Fusion bonded epoxy coating in compliance with DIN 3476 part 1 and EN 14901, GSK approved. Above ground parts additionally with UV-resistant red polyester coating
- Patented AVK main valve design with a ductile iron core fully encapsulated with EPDM rubber
- Hydrant drain easily plugged if required - may be plugged internally or externally
- 5¼" valve opening for high flow rating
- 360° all bronze drain channel

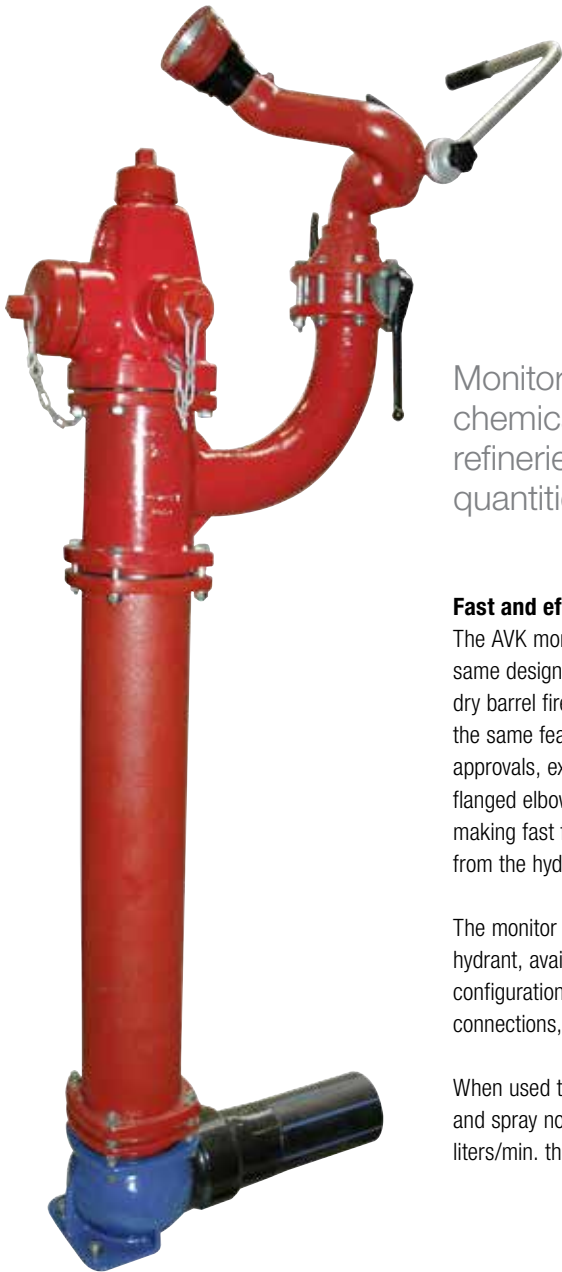
- Inlet shoe also available as straight or elbow in DN100/DN150 PN10/16 or DN100/DN150 ANSI Class 150. Elbow also available with DN150 SDR11 PE pipe connection.
- Internal trim for higher corrosion resistance
- Hydrant serviceable under pressure
- Light-weight, inexpensive hydrant tools available

**Optional extras:**

- Monitor elbow
- Multioutlet
- Handwheel
- Landing valves
- Couplings



# DRY BARREL MONITOR FIRE HYDRANTS



Monitor hydrants are primarily used for installation in chemical and petrochemical industrial plants as well as refineries, tank farms, airports and other plants with large quantities of inflammable liquids posing fire hazards.

### **Fast and effective fire extinguishing**

The AVK monitor hydrant is based on the exact same design and components as our standard dry barrel fire hydrant. Therefore, it has all the same features and benefits as well as approvals, except that it has a DN80 or DN100 flanged elbow for connecting a monitor, thus making fast fire extinguishing possible directly from the hydrant without adding any hoses.

The monitor hydrant is, like the dry barrel hydrant, available in many different configurations regarding inlet and outlet connections, dimensions, materials, colours etc.

When used together with our standard monitor and spray nozzle it delivers more than 4000 liters/min. through the monitor.





**AVK's standard monitor**

Our high quality FM approved monitor is cast completely in brass for high corrosion resistance. The special casting shape with a cast-in guideway in the middle ensures a high flow rate of up to 4732 liters/min.

It has a high vertical travel from -60° to +90° (150°) and a continuous horizontal travel of 360°. The nozzle can be adjusted to supply everything from a straight stream to a 90° wide fog and has an effective reach of up to 90 m.

As standard it is supplied with a manual tiller bar and lock-in-position screws for precise and

fast control, but it is also available with dual handwheels.



# WET BARREL FIRE HYDRANTS



Wet barrel fire hydrants are primarily designed for non-frost areas. AVK's wet barrel hydrant is designed to be easy to maintain, enabling one person to perform routine repairs and maintenance. The hydrant is rated for a working pressure of 13.7 bar (200 PSI), is UL listed and FM approved, and meets or exceeds the requirements of AWWA C503.

#### For non frost areas

AVK's wet barrel hydrant is designed with the shut-off device directly at the outflow nozzle for hose or pumper connection. This means that the hydrant is constantly filled with water and thus under pressure. The hydrant is mounted directly on the water main, giving full water pressure instantaneously when needed.

Only after 1/8 turn on the stem the water starts to flow, and after 12 turns the full flow capacity can be held against the fire.

The hydrant is not for use where the temperature may come below 0°C due to the risk of frost erosion. In order to service and maintain the hydrant we recommend installing an isolating gate valve on the upstream side.

#### Features:

- UL listed and FM approved
- Meets or exceeds AWWA C503 (latest)
- High pressure rating 13.7 bar (200 PSI)
- Two-way outlet (1 x 2½" NST hose outlet and 1 x 4" or 4½" pumper outlet)
- Three-way outlet (2 x 2½" NST hose outlets and 1 x 4" or 4½" pumper outlet)
- Inlet: DN150 AWWA flange inlet (standard) or ANSI class 150
- Operating nuts: 1½" pentagon
- 360° rotation possible when assembled with a breakable flange unit
- Ductile iron nozzle section with removable nozzles secured with external stainless steel allen screws
- Each stem sealed with two O-rings
- Replaceable cast iron dummy nuts for extra stem protection
- Fusion bonded polyester coating red RAL 3000
- Can be supplied with a wide range of nozzle thread specifications
- Available with DN100 monitor flange to ANSI Class 150

#### Optional extras:

- Series 24/72 with working pressure 24.1 bar (350 PSI)
- Available in stainless steel and bronze





©Vejle Brandvæsen

# POST INDICATORS AND GATE VALVES FOR POST INDICATORS



Post indicators are mounted end-to-end with the extension spindle connecting the valve, for instance on gate valves mounted on a water ring main in an airport or a factory area with e.g. oil refineries or chemical plants.

#### Open or closed position

The post indicator indicates whether the valve is in open or closed position. According to government regulations it must be easy for firemen to see whether the valve is open or closed, even at a long distance. The post indicator signs "OPEN" and "SHUT" are mounted on the target according to valve size.

AVK post indicators have a unique telescoping stem design which eliminates the need to disassemble and saw off sections of the stem during installation. The operating wrench can be locked on to make the valves tamper proof, and the AVK post indicators have a pre-cast

threaded boss for mounting a supervisory switch.

The post indicator valves are used for underground installation in fire protection systems. The post indicator flange is incorporated in the top gland giving a compact design.

AVK series 34/00 post indicators for fire protection at FM Logistics - Petresti, Romania.





### Resilient seated gate valves

A published test performed in City of Roseville, US, has proved that impurities up to Ø 8.7 mm can be handled by a DN150 mm valve without any problems. The same test proved that the unique AVK EPDM rubber quality is the only rubber quality which instantly returns to the original shape when the valve is opened again.

### Unique wedge design

- Fixed, integral wedge nut prevents corrosion.
- Double bonding vulcanisation process ensures maximum adhesion of the rubber.
- Guide rails with integrated wedge shoes ensure low friction and smooth operation.
- Rubber vulcanised to the core with min. 1.5 mm on all pressure bearing surfaces and 4 mm on all sealing surfaces gives optimum corrosion protection.
- Large rubber volume in the sealing area provides optimum sealing.
- Large stem hole prevents stagnant water and accumulation of impurities.
- AVK's rubber compound features an outstanding compression set value, meaning its ability to regain original shape.



# GATE VALVES FOR SPRINKLER SYSTEMS



AVK resilient seated gate valves are designed with a fully vulcanised rubber wedge and a lot of unique features ensuring optimum performance and high durability. We offer flanged gate valves in OS&Y design and with position indicator as well as grooved end valves with position indicator.

## **Gate valves dedicated to UL/FM requirements**

As the first manufacturer in the world AVK offers a range of gate valves dedicated to the UL and FM requirements. This range has been designed specifically to fulfil the requirements in the UL 262 and FM 1120/1130 standards.

The gate valves are available both as OS&Y (Outside Screw and Yoke) and NRS (Non-Rising Stem) versions. OS&Y gate valves with flanges are used in above ground installations, where the rising stem design makes it easy to recognise the wedge position, open or closed, even at a distance. The yoke in the OS&Y

version is prepared for installation of a fixed monitoring switch enabling a very fast and easy switch installation.

The weight of the valves has been reduced significantly and consequently the carbon emission during the production processes is also minimised. The low weight also makes the handling of the valves much easier without compromising on the well-known AVK quality.





Yoke prepared for supervisory switch installation



Scalloped flanges for weight optimisation

#### VdS approved gate valves

The flanged gate valve with position indicator is suitable for use in fire protection systems as an isolating gate valve for maintenance purpose.

The position indicator indicates the wedge position. Micro switches for remote indication of the wedge position are available as an optional extra.

The grooved end gate valve is fixed to the pipe by means of standard clamping couplings. The grooved end clamping system has proved to be one of the fastest and most efficient ways of joining pipes due to its high degree of flexibility. Furthermore, it absorbs vibrations and noise transmission through the system. It has a certain degree of angular deflection of the pipe joints and alignment in all positions 360° around the pipe axis. Therefore, the system is well-suited in high rise buildings where vibrations and stress of pipe systems are of significant importance.

#### Additional features

In addition to the unique wedge design AVK gate valves offer a number of great features:

- Rolled threads increase the stem's strength
- Triple safety stem sealing ensures tightness
- Full circle thrust collar provides fixation of the stem and low free running torques
- The bonnet gasket is fixed in a recess and encircles the bonnet bolts to prevent blow-out
- The stainless steel bonnet bolts are countersunk and sealed to protect against corrosion
- Full bore ensures low head loss
- Low operating torques ensure easy operation
- Fusion bonded epoxy coating in compliance with DIN 3476 part 1 and EN 14901

# CHECK VALVES AND FLOAT VALVES



## Swing check valves

Secondary valves in a fire sprinkler system are not necessarily gate valves. AVK check valves are an excellent choice if you want to avoid reflux. A pump chamber for sprinkler systems often includes liquids that are not in contact with fire water and as such, they do not require the same strict approvals.

Examples are the supplementary water for the pumps and the replenishment of containers and reservoirs from the public water supply net. Such liquids are handled excellently with AVK swing check valves.

The ductile iron body, made in a modern design with soft sealing elements in an advanced rubber quality from AVK's own rubber factory, will ensure an efficient shut-off whenever needed.

## UL/FM swing check valves

AVK also offers swing check valves with UL listing and FM approval. The range includes spring loaded swing check valves with flanged or grooved ends in DN50-200. The grooved end valve is also available in a "shotgun" version with a drainage thread machined on the wet side.

The valve has a very compact design which makes it ideal for fast and easy installation. When fully open, the clapper is completely out of the flow stream to maintain a maximum flow area and to keep a low pressure drop. The spring loaded disc prevents slam closing caused by the backflow when the flow stops.

## Ball float valves

AVK's ball float valves can be installed in a sprinkler system's water tank or reservoir to ensure that it is constantly and automatically filled with water.

The ball float valve automatically controls discharge of water into a tank or reservoir in response to water level variation. The float mechanism holds the valve until the water level falls. The float then follows the water level thus matching the inflow. If outflow ceases, water level rises and the float closes the valve.



# BUTTERFLY VALVES



## Butterfly valves with fixed liner

AVK offers butterfly valves with fixed liner with three different connections; wafer, semi lug and double flanged.

AVK centric butterfly valves with fixed liner feature an outstanding seating concept. The rubber is injection moulded directly on the valve body forming a permanent bond. Consequently, there is no risk of deformation or dislocation of the liner making the valves suitable under vacuum conditions.

The streamlined disc with minimum flow resistance is made of stainless steel or aluminium. The valve will not cause any turbulence, pressure drops or valve vibration, and will reduce energy costs for the user. The saving of energy costs may be several times the initial cost of the valve.

The profiled disc edge requires minimal deformation of the liner to achieve tight sealing. The combination of the profiled disc edge and the excellent AVK rubber quality ensures maximum durability of the liner and low operating torques.

All butterfly valves are supplied with approved gear box, handwheel and opening indicator.

## Grooved end butterfly valves

The AVK butterfly valve with grooved ends is designed specifically for fire protection applications, and is UL listed and FM approved.

It features a rubber vulcanised disc with high quality rubber compounds produced at AVK's own rubber factory. The disc design ensures a high flow rate and a low pressure drop across the valve. The valve is delivered with a manual gearbox fitted with integrated electric supervisory switches. It is a compact valve, which requires a minimum of space for installation.

The grooved end butterfly valve is fixed to the pipe by means of standard clamping couplings. The grooved end clamping system is one of the fastest and most efficient ways of joining pipes due to its high degree of flexibility. Furthermore, it absorbs vibrations and noise transmission through the system.

# FIRE SAFETY APPROVALS

Most of AVK's products in the fire protection range hold internationally recognised approvals such as UL, FM and VdS.

UL (Underwriters Laboratory) has ever since 1900 worked to ensure fire safety in many fields. UL started originally in America but is today an internationally known institute ensuring high quality and safe reliable products. The UL standards describe requirements for metallic parts, non-metallic parts, outlets/inlets, rated working pressure, marking as well as test methods of the approved products.

FM (Factory Mutual) is an international leader in 3rd party certification and approval of fire protection equipment. FM has written its own product standards since many years back. FM has own test laboratories, and ensures

continued quality guarantee through follow up audits at the manufacturing sites minimum 4 times a year.

VdS (Vertrauen durch Sicherheit - in English "confidence through safety") is a German test institute working within fire protection and security. VdS has more than 100 years of experience with its main field – fire protection - and makes test and certification of both products and complete sprinkler systems.

By choosing UL, FM or VdS approved AVK products for your fire protection system, you are ensured a reliable and safe function, which

is essential when it comes to protecting your values, and most important – human lives!

Besides that, you can in many cases benefit from the advantage of lower insurance costs.

See more on [www.avkvalves.eu](http://www.avkvalves.eu)







**Our hydrants and valves are being used in:**

- power plants
- harbours
- production facilities
- hospitals
- warehouses

and elsewhere you need to construct a safe and secure solution for fire protection.



# EXPECT US TO EXCEED MARKET STANDARDS

## **Inhouse R&D**

In our Development Department in Denmark, ideas and suggestions for new products are gathered, and existing products are updated continuously.

We use FEA (Finite Element Analysis) to optimise the strength and geometry of our components and CFD (Computational Fluid Dynamics) analyses to validate different product designs prior to creating physical prototypes, enabling us to predict consequences in cases where it is impossible to create full scale tests on physical products.

We make our own test and production equipment, and in our flow lab, we conduct thorough prototype and life cycle tests prior to release for production.

## **Expect... AVK**

In our business there are five cornerstones that must be in place in order to meet customer expectations: Quality, reliability, innovation, sustainability and customer service.

But we need to go further than that. We go further to exceed our customers' needs and expectations.

"Expect... AVK" means that our customers should rightfully expect us to exceed market standards. "Expect... AVK" means that we relentlessly strive for increased customer benefits!

To ensure that we keep pushing the boundaries of what the market can expect, we have formulated promises that we will strive to deliver in all our markets:

**EXPECT** A LONG-TERM PARTNERSHIP

**EXPECT** QUALITY IN EVERY STEP

**EXPECT** LASTING INNOVATIONS

**EXPECT** TOTAL SAVINGS

**EXPECT** SOLUTIONS, NOT JUST PRODUCTS

**EXPECT** GLOBAL LEADERSHIP AND LOCAL COMMITMENT

**EXPECT** PROMPT RESPONSE

**EXPECT** IT TO BE EFFECTIVE AND EASY

See more on [www.avkvalves.eu](http://www.avkvalves.eu)



# FIRE PRODUCTS FOR OUTDOOR USE



**Series 27/00**  
 Dry barrel fire hydrant  
 Modern style  
 Bury depth 305-2438 mm  
 17.2 bar (250 PSI)  
 Ductile iron  
 UL/ULC listed,  
 FM approved

Inlet options:  
 • DN100-150 flanged  
 • DN100-150 PE end  
 • monitor fire hydrant



**Series 27**  
 Dry barrel monitor fire hydrant  
 Bury depth 305-2438 mm  
 17.2 bar (250 PSI)  
 Ductile iron  
 UL/ULC listed,  
 FM approved

Monitor flange options:  
 • DN80-100



**Series 27**  
 Monitor with spray nozzle  
 Flow rate up to 4732 l/min.  
 DN80-100 inlet flange  
 360° continued horizontal travel  
 -60° to +90° vertical travel  
 FM approved.  
 Other spray nozzles available



**Series 24/10**  
 Wet barrel fire hydrant  
 13.7 bar (200 PSI)  
 With DN100 monitor flange  
 2 x 2½" + 1 x 4"4½"  
 outlets  
 Ductile iron  
 UL listed, FM approved

Options:  
 • ANSI class 150 inlet



**Series 24/70**  
 Wet barrel fire hydrant  
 13.7 bar (200 PSI)  
 2 x 2½" + 1 x 4"4½"  
 outlets  
 Ductile iron  
 UL listed, FM approved



**Series 24/90**  
 Wet barrel fire hydrant  
 13.7 bar (200 PSI)  
 2 x 2½" + 1 x 4"4½"  
 outlets  
 Ductile iron  
 UL listed, FM approved

Options:  
 • DN100 monitor flange  
 and 2 x 2½" + 1 x  
 4"4½" outlets



**Series 36/00**  
 Gate valve with PE ends  
 and post indicator flange  
 DN80-300

PN16 drilling  
 Ductile iron



**Series 145/50**  
 Flanged gate valve  
 with wrench nut  
 DN65-200  
 17.2 bar (250 PSI)  
 PN10/16 drilling  
 Ductile iron  
 UL/ULC listed,  
 FM approved

Options:  
 • ANSI drilling class 150



**Series 45/59 and 55/2X**  
 Flanged gate valve  
 with wrench nut  
 DN50, 250 and 300:  
 17.2 bar (250 PSI)  
 DN450-600:  
 13.7 bar (200 PSI)  
 PN16 drilling  
 Ductile iron  
 UL/ULC listed,  
 FM approved

Options:  
 • ANSI drilling class 150



**Series 45/59**  
 Flanged gate valve  
 with post indicator flange  
 DN50-300:  
 17.2 bar (250 PSI)  
 DN350-400:  
 13.7 bar (200 PSI)  
 PN10/16 drilling  
 Ductile iron  
 UL/ULC listed,  
 FM approved



**Series 55**  
 Flanged gate valve  
 with post indicator flange  
 DN450-600  
 13.7 bar (200 PSI)  
 PN16 drilling  
 316 stem  
 Ductile iron  
 UL/ULC listed,  
 FM approved

Options:  
 • ANSI drilling class 150  
 • alu-bronze stem



**Series 34/00**  
 Post indicator, telescopic  
 for DN50-600 post  
 indicator gate valves  
 Bury depth 505-2210 mm  
 Ductile iron  
 UL/ULC listed,  
 FM approved

# FIRE PRODUCTS FOR INDOOR USE



**Series 06/35**  
Flanged gate valve  
with position indicator  
DN50-400  
PN10/16 drilling  
Ductile iron  
VdS approved  
(DN50-200 only)



**Series 06/37**  
Grooved end gate valve  
with position indicator  
DN50-300  
PN16 drilling  
Ductile iron  
VdS approved  
(DN50-200 only)



**Series 145/50**  
Flanged gate valve  
with wrench nut  
NRS  
DN65-200  
17.2 bar (250 PSI)  
PN10/16 drilling  
Ductile iron  
UL/ULC listed,  
FM approved

- Options:  
• ANSI drilling class 150



**Series 45/59**  
Flanged gate valve  
with wrench nut  
DN50, 250 and 300:  
17.2 bar (250 PSI)  
DN350-400:  
13.7 bar (200 PSI)  
PN10/16 drilling  
Ductile iron  
UL/ULC listed,  
FM approved

- Options:  
• ANSI drilling class 150



**Series 55**  
Flanged gate valve  
with wrench nut  
NRS  
DN450-600  
13.7 bar (200 PSI)  
PN16 drilling  
316 stem  
Ductile iron  
UL/ULC listed,  
FM approved

- Options:  
• ANSI drilling class 150  
• alu-bronze stem



**Series 145/46**  
Flanged gate valve  
with rising stem  
OS&Y  
DN50-200  
17.2 bar (250 PSI)  
ANSI drilling class 150  
Ductile iron  
UL/ULC listed,  
FM approved

- Options:  
• PN10/16 drilling  
(145/56)



**Series 45/56**  
Flanged gate valve  
with rising stem  
OS&Y  
DN50-300:  
17.2 bar (250 PSI)  
DN350-400:  
13.7 bar (200 PSI)  
PN16 drilling  
Ductile iron  
UL/ULC listed,  
FM approved

- Options:  
• grooved ends  
• ANSI drilling class 150



**Series 55**  
Flanged gate valve  
with rising stem  
OS&Y  
DN450-600  
13.7 bar (200 PSI)  
PN16 drilling  
316 stem  
Ductile iron  
UL/ULC listed,  
FM approved

- Options:  
• ANSI drilling class 150  
• alu-bronze stem



**Series 75/10**  
Centric butterfly valve  
with fixed liner  
Wafer  
Ductile iron  
DN40-1000  
With any type of  
actuation



**Series 75/20**  
Butterfly valve  
Centric with fixed liner  
Double flanged short  
DN50-300  
PN10/16  
Ductile iron  
FM approved

- Options:  
• wafer  
• lug



**Series 75/31**  
Butterfly valve  
Centric with fixed liner  
Semi lug  
DN50-300  
PN10/16  
Ductile iron  
FM approved



**Series 815/40**  
Butterfly valve  
Centric with rubber  
Vulcanised disc  
Grooved ends to AWWA  
C606  
DN65-200  
24.1 bar (300 PSI)  
Ductile iron  
UL/ULC listed,  
FM approved

# FIRE PRODUCTS FOR INDOOR USE



**Series 34/80**  
Wall post indicator,  
for DN50-400 post  
indicator gate valves  
Stem length  
250-1250 mm  
Ductile iron  
UL/ULC listed,  
FM approved



**Series 41/60**  
Swing check valve  
Resilient seated  
Free shaft  
DN50-300  
PN10 or 16 drilling  
Ductile iron

Options:  
• lever and weight  
• lever and spring



**Series 5190/00**  
Flanged swing check  
valve  
Spring loaded  
Grooved ends to AWWA  
C606  
DN50-200  
24.1 bar (300 PSI)  
UL/ULC listed,  
FM approved

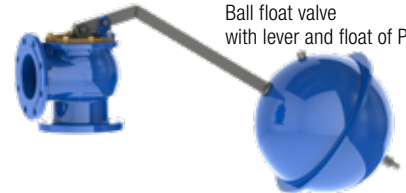
Options:  
• flange drilling to ANSI



**Series 5190/10**  
Swing check valve  
Spring loaded  
Grooved ends to AWWA  
C606  
DN50-200  
24.1 bar (350 PSI)  
UL/ULC listed,  
FM approved



**Series 5190/20**  
Swing check valve  
Spring loaded  
shotgun type  
Incl. drainage hole  
Grooved ends to AWWA  
C606  
DN50-200  
24.1 bar (350 PSI)  
UL/ULC listed,  
FM approved



**Series 854**  
Ball float valve  
with lever and float of PP

DN50-300  
PN16  
Ductile iron

Options:  
• lever and float of  
stainless steel



**Series 910**  
Y-strainer  
DN50-300  
Ductile iron

# ACCESSORIES



**Series 04**  
 Extension spindle  
 for gate valves  
 Telescopic or fixed length  
 Key adaptor #23-32  
 with spindle adaptor  
 fitting to US type  
 wrench nut  
 DN40-400



**Series 04/74**  
 Surface box  
 Reversible  
 Ductile iron



**Series 04/15**  
 T-key for below ground  
 gate valves



**Series 04/24**  
 Wrench nut for gate  
 valves



**Series 27/00**  
 DN150 base with PE100/  
 PN16 connection for series  
 27 dry barrel hydrants



**Series 27/00**  
 Monitor elbow  
 for series 27 hydrant  
 DN80 or DN100 outlet  
 flange



**Series 24/80**  
 Breakable flange kit  
 for series 24 wet barrel  
 hydrant with break ring



**Series 24**  
 Breakable flange  
 for series 24 wet barrel  
 hydrant



**Series 27**  
 Traffic repair kit  
 for series 27 dry barrel  
 hydrant



**Series 27**  
 Operating wrench  
 for series 27 dry barrel  
 hydrant



**Series 27**  
 Extension kit  
 for series 27 dry barrel  
 hydrant



**Series 96/00**  
 Micro switch with bracket  
 for monitoring the position  
 of OS&Y valves series 45

# ACCESSORIES



**Series 96/00**  
Limit switch IN62 with  
bracket for monitoring  
the position of NRS gate  
valves  
UL listed



**Series 96/00**  
Limit switch BI 2 for  
monitoring the position of  
NRS gate valves  
UL listed



**Series 96/00**  
Supervisory switch for  
monitoring the position of  
post indicator valves and  
series 145 OS&Y valves  
UL listed  
FM approved



**Series 20/908**  
Mounting kit for micro  
switch (NRS valves)  
Ductile Iron  
DN50-400



**Series 230/02**  
Grooved coupling  
Rigid  
DN25-300  
20,6 bar (300 PSI)  
Ductile iron



**Series 230/04**  
Grooved coupling  
Flexible  
DN25-300  
20,6 bar (300 PSI)  
Ductile iron



**Series 230/16**  
Grooved elbow 22°  
DN50-200  
20,6 bar (300 PSI)  
Ductile iron  
UL/ULC listed,  
FM approved

Options:  
• 11°  
• 45° standard  
• 45° short, DN50-300  
• 90° standard, DN50-300  
• 90° short, DN50-300



**Series 230/31**  
Grooved reducing Tee  
DN50-300  
20,6 bar (300 PSI)  
Ductile iron  
UL/ULC listed,  
FM approved

Options:  
• tee standard  
• tee short



**Series 230/55**  
Grooved concentric  
reducer  
DN40-300  
20,6 bar (300 PSI)  
Ductile iron  
UL/ULC listed,  
FM approved

Options:  
• threaded max DN200



**Series 230/71**  
Adaptor flange  
DN50-200  
20,6 bar (300 PSI)  
Ductile iron  
UL/ULC listed,  
FM approved

Options:  
• grooved



**Series 230/75**  
Cap  
DN25-200  
20,6 bar (300 PSI)  
Ductile iron  
UL/ULC listed,  
FM approved

Options:  
• with eccentric hole  
DN50-200



**Series 230/86**  
Grooved mechanical Tee  
DN50-200  
20,6 bar (300 PSI)  
Ductile iron  
UL/ULC listed,  
FM approved

Options:  
• threaded DN25-200  
• u-bolt threaded DN25-80

# OPERATION OF DRY BARREL FIRE HYDRANTS



## UL listed and FM approved

The AVK dry barrel hydrant meets or exceeds the requirements of FM 1510 and UL 246.

Hydrant, bury depth of 1.5 meters to bottom of pipe:

- head loss = max. 0.069 bar per hose connection
- flow = min. 946 l/min per hose connection

Hydrant with pumper connection:

- head loss = max 0.345 bar.  
When flow = 3785 l/min

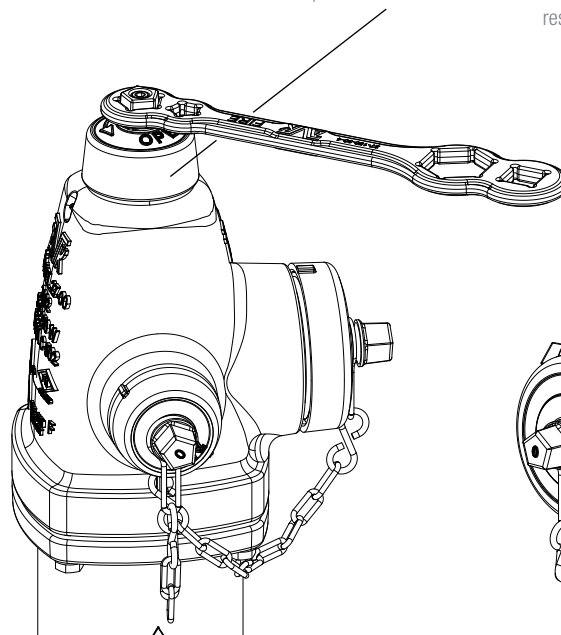
## Operating the hydrant

The AVK modern hydrant is designed to be an easily operated, low torque, high flow fire hydrant.

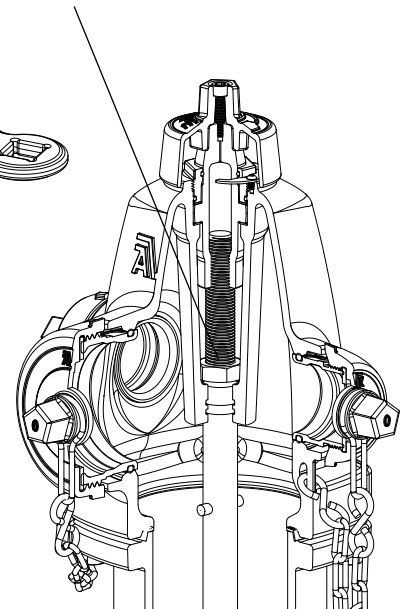
The thrust bearing hydrant requires a minimum of torque to operate. It is possible to damage the hydrant by forcing it beyond its limits of travel with excess torque; therefore:

- Check direction of opening as marked on the hydrant weather shield.
- To open, turn the operating nut in the opening direction, indicated by an arrow on the weather shield, until the main valve is fully open (approximately 19 to 21 turns). The stop nut should prevent the hydrant from opening beyond the fully open position. Do not force the hydrant in the opening direction beyond full open as indicated by sudden resistance to turning. If water does not flow when the hydrant is open, it is probably due to a closed valve upstream from the hydrant.
- To close, turn the operating nut until the main valve stops off the flow. It is not necessary to close this type of hydrant with great force. Once the flow has stopped, loosen the operating nut in the opening direction, ½ to 1 turn to take the strain off the operating parts of the hydrant and to make it easier to open the hydrant.

Weather shield note: open left shown.



Stop nut resting against internal lubrication reservoir in the nozzle section.





# TECHNICAL APPENDIX

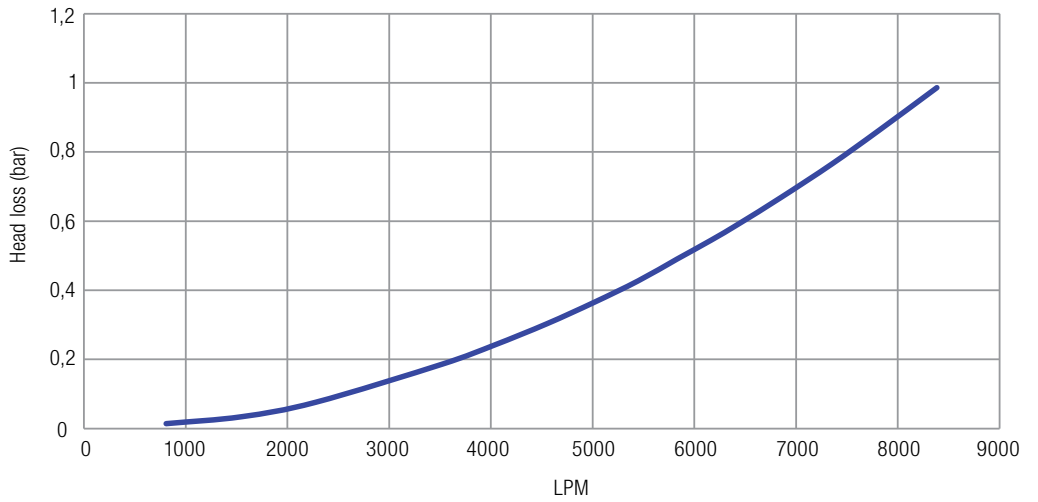
## FLOW CHARACTERISTICS



### 27/00 - flow/pressure loss

- 1 x hose (2,5") = 212 m<sup>3</sup>/hour
- 1 x pumper (4") = 450 m<sup>3</sup>/hour
- 1 x pumper (4,5") = 470 m<sup>3</sup>/hour

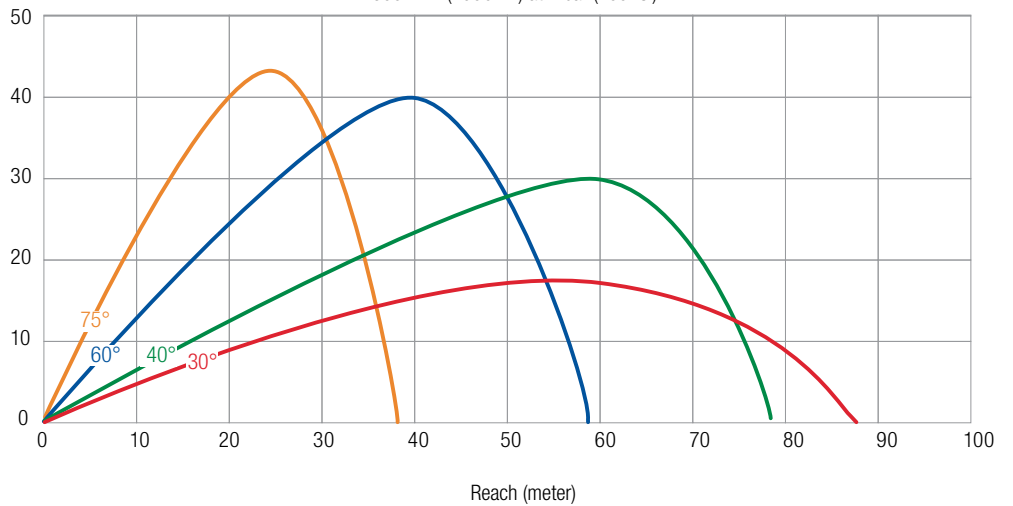
### Series 27 head loss - 4.5" Pumper nozzle



### 825-BC

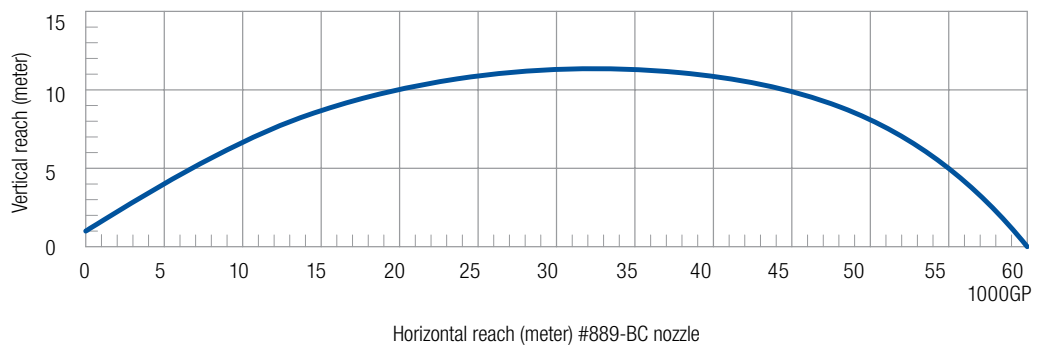


2900 LPM (750GPM) at 7 bar (100PSI)



### 889-BC

Pressure at 7 bar



# TECHNICAL APPENDIX

## CORROSION PROTECTION

First all cast components are blast cleaned according to ISO 12944-4, SA 2½.

The valve and hydrant bodies and bonnets and other components are fusion bonded epoxy coating in compliance with DIN 3476 part 1 and EN 14901 and GSK guidelines. The high quality epoxy coating is GSK approved and applied manually or using a fluidized bed epoxy coating system. After the valve components have been blast cleaned, the clean and preheated components are submerged in epoxy powder. The powder melts when in contact with the preheated components and cures when the components enter the cooling tunnel shortly after the coating process.

### Test procedure

- Coating thickness:

The coating layer thickness shall be no less than 250 µ.

- Pore-free coating:

The coating must be completely free of penetrating pores to avoid subsequent corrosion of the casting underneath. A 3 kv holiday detector with a brush electrode is used to electrically reveal and locate any pores in the coating.

- Impact resistance:

The impact resistance test is carried out right after the coating process by means

of a stainless steel cylinder dropped on the coating surface through a one meter long tube corresponding to an impact energy of 5 Nm.

After each impact the component is electrically tested, and no electrical breakthrough shall occur.

- Cross linkage:

One drop of methyl isobutyl ketone is put on a horizontal epoxy resin coated surface of the test piece at room temperature. After 30 seconds the test area is wiped with a clean white cloth. It is checked that the test surface has not become neither matt nor smeared, and that the cloth remains clean. The test is carried out 24 hours after the coating process.

- Adhesion:

The adhesion of the powder coating on one of each type of component is tested four times a year per coating plant according to GSK guidelines using the punch separation method according to DIN 24624. The coating thickness over a dispersed area of the test item shall be within the range 250 µ to 400 µ.

The test pieces are immersed for seven days in deionised water at 90°C, and then dried in an oven for 3 hours. A conditioning phase of 3 to 5 days in normal atmosphere is then allowed to elapse. No blisters may arise during the period immersed in the water bath.

The surface of the test piece is degreased and then roughened with abrasive paper. The roughened surface is cleaned from dust with oil-free compressed air and re-cleaned. The adhesion on both the core and the moulding sand sides is tested with a minimum pulling force of >12 N/mm².

- Cathodic disbonding:

Cathodic disbonding tests are carried out on one of each type of component at least twice a year. No bubbles in the coating may develop during the test for cathodic disbonding. For this test, the coating thickness over a dispersed area of the test item shall be within the range 250 µ to 400 µ.

### Approvals

The coating is approved for use in drinking water systems, meeting all specified toxicological conditions, by the following institutes:

- Hygiene Institute, Germany
- Hydrocheck, Belgium
- CARSO L.S.E.H.L., France

### Extra top coating

All our hydrants and post indicators have an additional layer of UV-resistant polyester coating. The polyester coating will protect the colour of the products from fading, even though the products are installed in places with a strong UV-light exposure.



# TECHNICAL APPENDIX

## RUBBER TECHNOLOGY

### Ability to regain shape:

The high quality rubber used on the wedge has an excellent compression set also called memory (the ability to recover the original shape after being compressed). Even after many years of service where the wedge rubber has been compressed numerous times, the rubber will regain its original shape and ensure a tight sealing.

Impurities will not affect the rubber surface or the tightness of the valve, as they will be absorbed in the rubber when the valve is in closed position. When the valve is reopened, the impurities will be flushed away, and the rubber will regain its shape.

### EN 681-1:

A common European standard states the minimum requirements for the compression set (permanent deformation). To test the compression set, the rubber is deformed by 25% of its original thickness at a constant temperature for a specific time. The pressure on the rubber is relieved and the layer thickness is measured after half an hour. The smaller the deformation, the better the memory effect.

### Double bonding system:

The wedge core is immersed in two different baths - the first to prepare the ductile iron core and the second to vulcanise the rubber to the core. The rubber is vulcanised to the metal

wedge core with a process that fully bonds the two materials. Even if a sharp object penetrates the rubber the bonding is so strong that there is no risk of creeping corrosion underneath the rubber. As a result, we can offer the best rubber adhesion and corrosion protection on the market.

Since no international bonding standard is available, AVK has developed its own harsh test method to ensure that the adhesion also withstands a worst-case scenario. Testing is done both during production and after immersion in 90°C water for 3 weeks. When peeling off rubber from the core, the core must still be covered with rubber.

### Protection against wear

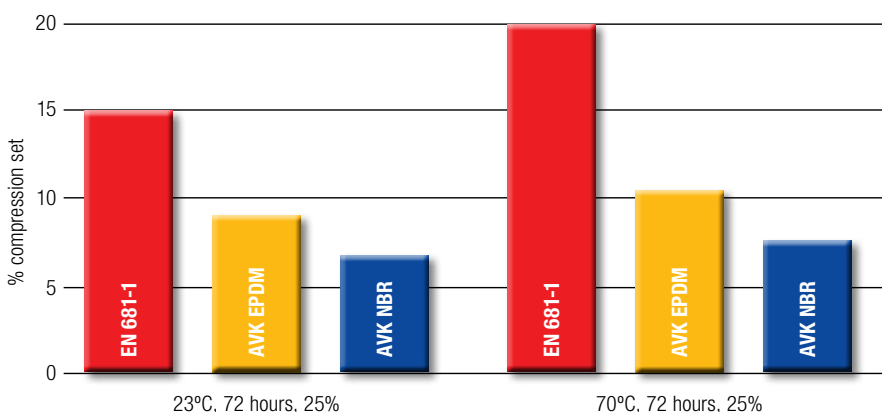
The wedge guide rails and wedge shoes ensure a smooth operation and keep the operating torque to a minimum. The wedge shoes ensure that AVK supersedes the life time requirements stated in EN 1074-2. Even at maximum differential pressures and high flow velocities the friction between the body and wedge is kept to a minimum.

A unique vulcanisation process ensures that the entire wedge core is covered with rubber and that the shoes are attached to the wedge core. This process is one of the secrets keeping the wedge protected from corrosion and thus securing a long service life and smooth operation of the valve.

### High quality rubber compounds

AVK uses rubber compounds durable enough to resist repeated open/close operations. Furthermore, the friction against the valve body's internal epoxy coating is very low with this rubber quality, whereby very low operating torques and closing torques are achieved.

The ductile iron core is fully vulcanised with rubber both inside and outside. A minimum of 1.5 mm rubber is applied on all pressure bearing surfaces and a minimum of 4 mm on all sealing surfaces regardless of the design.



**AVK International A/S**

Bizonvej 1  
Skovby  
8464 Galten  
Denmark

Tel.: +45 8754 2100  
[www.avkvalves.eu](http://www.avkvalves.eu)

2021-10-29  
Copyright © AVK Group A/S 2021

Expect... **AVR**